

# News of Grace

Monthly Newsletter ♦ March 2020

## Grace Lutheran's Purpose Statement

*"We share God's love by welcoming all and making a Christ-like difference in our community and world."*



Kay Grove, Michele Amelotte, Bethany Popour, Gerald Lancaster, Joanne Nicholls,

Gordon Hansen, Deb Nitchman's Family, Kay Zinsli, Diane Prevost, Tammy Furze,

Julie Troy, Harold Kissau, Jim Malaski, Karen & Walter Spigelmyre, Emma Nelson, Bishop Craig Satterlee, Christine Schultz O'Neil, Becky, Jodi Kennedy Dinnan, Stephanie Bradford, Kevin Reiser, Karlene Trump, Charlotte Barnard, Jamie Shipman, Bill Estlack, Kim Branch, Nick Wittman, Barb Agius, Betty Kelly, Maria Shelton, Emily Cross, Liz, Lucas David, Edna Delano, Yvonne Stoll, Joseph Hansen, Scott Coddington, Cody Gustin.

### We also remember the families of...

Mary Ann Czarnecki, who passed away February 8th

Cassie Newman, who passed away February 16th

**Grace Lenten  
Supper & Service  
Soups & Breads Needed**

Grace is hosting the Wednesday Lenten Service on March 25th. 15 Soups and 6 loaves of breads are needed for the supper. Please sign up in the Office Lobby for what you can contribute. THANKS



## Scholarship Applications

Applications for Grace Lutheran scholarships are available in the Office Narthex, for high school graduates or anyone wanting to pursue their education.

Applications should be turned in to the office by April 15, 2020. For further information contact Donna Czarnecki (354-8990).

Please contact the office if you would like an application emailed to you (354-2640).



## Office Lobby Doors Locking

Our new locks are installed and working on the wooden doors in the Office Lobby. We are now using the wooden doors to lock the building, leaving the metal outer doors unlocked. With this change, the Little Food Pantry in the heated vestibule between the doors will be accessible 24/7 just like the outdoor Little Food Pantry. Food susceptible to freezing can be offered year round making a greater range of food available to those who have needs. Dollars from our Community Celebrating and Sharing Dinner made this possible. THANK YOU ONE AND ALL.





## FROM OUR PASTOR

Lent is upon us. Tradition has it that we give up something for Lent as a way of participating in Christ's sacrifice for us. Personally I have found it more valuable to take something on that changes me more toward God rather than giving up for 40 days and then returning to it.

With the anti-racism workshop I have been involved in these last 2 months, I have found how I have not been seeking out the new and different, but rather staying with the tried and true, the safe and comfortable. Growth happens when you venture beyond what you have done before and try something new. The same old practices and habits gets you the same old results.

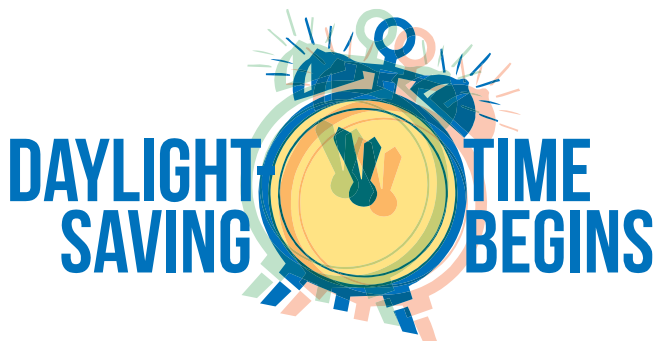
So for Lent, I am changing up my devotions to something different and new for me. Pushing at my edges a bit and doing different. And that is the suggestion I offer you. Take up something for Lent. Try something new. Add a new experience to your faith life and see where it gets you. Maybe you will like it and continue it, or have it available as another resource for the future. Maybe you will not like it or it doesn't help you grow. Yet even in that maybe there is something learned that will help you take another step in your faith life, something to lead forward.

Our faith is always growing and ever changing while staying rooted in God. There are new ways to approach it, different things to do. All the while being alive to God's ever moving alive and constant presence in the world.

Blessings on your Lenten journey. And our Lenten journey together.

God's Peace to you!  
And God's Kingdom to you!

*Pastor Tom*



**2:00 a.m Sunday, March 8th**

**"Wherever you go,  
no matter what the  
weather, always  
bring your own  
sunshine."**

**—Anthony J. D'Angelo**



## Lenten Series 2020

**Soup Supper 6:00 p.m./Worship 7:00 p.m.**

**This year's offerings will go to:**

Call Us for Help (Salvation Army), Friendship Room (St. Bernard's),  
 Sunday Supper (Trinity Episcopal) and The Little Food Pantry (Grace Lutheran)

**This year's theme is Jesus' Passion for...**

Date	Host	Preacher	Theme
Ash Wednesday February 26	St Paul	Rev. Paul Lance	Word
March 4	First Congregational UCC	Fr. Joe Muszkiewicz	Love
March 11	First Presbyterian	The Very Rev. Bill McClure	Wholeness
March 18	First United Methodist	Rev. Bill Rayment	Hope
March 25	Grace Lutheran	Rev. Seok Nam Lim	Life
April 1	All Saints Catholic Parish	Pastor Tom Orth	Justice
Maundy Thursday April 9	Trinity Episcopal	Pastor John Shipman	Service
Good Friday Tre Ore April 10	First United Methodist		





Our choir is looking for more members! We meet Tuesday evenings at 6:00 p.m. Open to all, regardless of ability!

### Special Music Service March 29

We are doing a special music service on March 29th, the fifth Sunday of the month. If you or your student would be interested in participating or would like more information, please reach out to David no later than March 22nd. All ages and musical abilities welcomed!

### Combined Choir for Lent

Combined choir rehearsals continue at 6:00 p.m. on Mondays at Grace. The Combined Choir will be used at several of the Lenten series services. You don't have to make all the rehearsals to sing. Open to all, regardless of ability!



### Baby Kit Collection

The Discipleship Work Group is now collecting items for the baby kits that we send to Lutheran World Relief. Tags are on the "Giving Tree" located in the office narthex. Please purchase the specific items on the tags. Some items may be difficult to find locally and may have to be purchased online. "Making a Christ-like difference in our community and world".

### Special Request to Members

Some members at Grace with asthma can react to and have difficulty breathing with various perfumes or colognes. For those with special sensitivity, it can be surprising how little it takes to cause the reaction and even moving further away doesn't always help as the scent can travel a good distance. We would ask that you consider wearing as little as possible or even refraining from any perfumes or colognes for worship services allowing others to worship in ease and comfort.



### Mark your calendars! VBS will be held this year July 6-10, 2020

Four college students come from Living Waters Ministries located in Luther, MI. They prepare and teach our curriculum for our VBS Program.

We are looking for someone to house these 4 college students during this week. The students would need to be housed the nights of Sunday, Monday, Tuesday, Wednesday, and Thursday. They leave on Friday after VBS ends.

Contact:

Nancy Platt - 340-0154

or

Chris Christopherson - 356-0430

### Children's Clothing Donations Wanted

Children's Closet, in 2019, filled over 400 clothing orders to needy children in our area. As you are cleaning out your children's closets, please consider donating to us to keep our supply of clothing up. We are in special need of spring and summer clothing .



Donations can be dropped off in the foyer at St. Bernard's Parish Center at the **Lockwood Street entrance** where they will be distributed between Baby Pantry (newborn-Size 4T) and Children's Closet (sizes 4-Teen clothing).

Wanted are: clean, good quality used clothing, jackets, shoes, boots, and even toys (at the giveaways the children are thrilled to pick one toy to take home with them). Questions? Call Doris Puls 356-9545. Thank you for supporting this ministry.



**In The Military**

Wesley Garant (USAF - S. Korea)  
 PSC 2 BOX: 1071  
 APO AP 96264

*Please contact the office to add a name to this list.*



**Away at College**

Isabelle Denstaedt (letters only)  
 158 Edgar Road  
 WVA 213  
 St. Louis, MO 63119

Miriam Denstaedt  
 502 Meadow Brook Road  
 East Vandenberg Hall - Room 407  
 Rochester Hills, MI 48309

*Please contact the office to add a name to this list.*

**GRACE EV. LUTHERAN CHURCH**  
 Staff & Leadership Telephone Numbers

**CHURCH OFFICE** ..... 354-2640  
 Rev. Tom Orth ..... Home..... 356-8729  
 ..... Cell ..... 916-8759  
 Office Manager.....Peggy Tomaszewski .. 255-8850  
 Music Director .....David Delano..... 207-322-2074

**ADMINISTRATIVE BOARD**  
 President .....Tom Lappan..... 356-3718  
 Vice-President.....Rick Engstrom..... 916-5963  
 Exec. Secretary.....Mary Lappan ..... 356-3718  
 Treasurer .....Don Barnard..... 464-3195

**WORK GROUP LEADERS/COUNCIL**  
 Education.....  
 Worship .....Sharon Engstrom..... 354-5133  
 Discipleship..... Phran Ludington..... 471-9117  
 ..... Dawn Anderson ..... 657-6923  
 Property ..... Jeff Welch..... 595-2195  
 ..... Bill Platt ..... 340-0154  
 Fellowship ..... Jeanne Pankey ..... 354-2416  
 ..... Pam Kirchoff ..... 595-2551  
 Finance/Stewardship...Dennis Werblow .... 354-5560

**OTHER V.I.P.s**  
 Youth Director.....  
 WELCA ..... Darleen Freel ..... 354-8866  
 ..... Dorothy Hansen ..... 354-3563  
 Samaritas.....Kay Grove..... 727-2054  
 Quilters .....  
 LARCC..... Steve Hansen ..... 404-406-8079



**February 2020**

**Finances**

GENERAL FUND .....\$ 14,610.67  
 BUILDING FUND ..... 1,763.33  
 OTHER .....6,059.09  
 TOTAL.....\$ 22,433.09

**Attendance**

SATURDAY WORSHIP (5).....102  
 SUNDAY WORSHIP (4) .....236  
 TOTAL.....338  
 (Does not include 2/29)

# OPPORTUNITIES TO SERVE THE LORD MARCH 2020

## LECTORS

01 DONNA CZARNECKI  
08 JOE GENTRY  
15 ANNE GENTRY  
22 NANCY & BILL PLATT  
29 VICKI DENSTAEDT

## USHERS

JOEL SUSZEK  
GARY & KAY GROVE  
RICK ENGSTROM  
CINDY DOMRASE (SATURDAY)

## GREETERS

01 BRUNO HIRZEL, KELLY PANKEY  
08 STEVE & JANIE HANSEN  
15 WAYNE & CHRIS CHRISTOPHERSON  
22 CLARENCE & BONNIE CROSS  
29 PAUL & VICKI DENSTAEDT

## COUNTERS

## COMMUNION ASSISTANTS

ROGER & JEANNE PANKEY

## ALTAR GUILD

MARY ROWADER  
ELSA PHILLIPS

## HOSPITAL

JANET CHRONINGER

## COOKIE/DOUGHNUT PICK UP (Sundays)

GARY & KAY GROVE

## FLOWERS

01 SUSZEK  
08  
15  
22  
29 LAPPAN

## COFFEE HOUR

01 DAWN ANDERSON, PHRAN LUDINGTON  
08 JOEL & CINDY SUSZEK  
15 WAYNE LEWIS  
22 RICK & SHARON ENGSTROM  
29 RUBY & OLIVIA HASKE

*PLEASE, please, please try to find a replacement or someone to switch with if you are unable to fulfill your Sunday scheduled duty AND share the change with Peggy. Thank you!*

# OPPORTUNITIES TO SERVE THE LORD

## APRIL 2020

### LECTORS

05  
12 DAWN ANDERSON  
19 MIKE URLAUB  
26 RUBY HASKE

### USHERS

WAYNE LEWIS  
CLARENCE & BONNIE CROSS  
CORKY GATES  
MIKE, TRACEY, ADAM &  
ALLIE URLAUB (Not April 5)

### GREETERS

05 MARY ROWADER, PHRAN LUDINGTON  
12 DAWN ANDERSON, ANNE GENTRY  
19 JOE & DAWN GENTRY  
26 GARY & KAY GROVE

### COUNTERS

MARGE WEBER  
WAYNE & CHRIS CHRISTOPHERSON

### COMMUNION ASSISTANTS

JOE GENTRY  
WAYNE LEWIS

### ALTAR GUILD

CHRIS CHRISTOPHERSON  
NANCY PLATT

### HOSPITAL

JANET CHRONINGER

### COOKIE/DOUGHNUT PICK UP (Sundays)

JACK & PATTI TUCKER

### FLOWERS

05 D. CROSS/FURZE  
12 EASTER FLOWERS  
19  
26 FRALEY

### COFFEE HOUR

05 JEFF & SANDY WELCH  
12 EASTER BREAKFAST  
19 DALE & PAT SCHULTZ  
26 JOE & DAWN GENTRY

***PLEASE, please, please try to find a replacement or someone to switch with if you are unable to fulfill your Sunday scheduled duty AND share the change with Peggy. Thank you!***

# MARCH



## Anniversaries of Baptism



**March 3**  
Arnold Jahnke

**March 23**  
Robert Greene

**March 5**  
Amy Townsend

**March 24**  
Mark Suszek

**March 11**  
Hadleigh Suszek

**March 26**  
John Kuligowski

**March 13**  
Sharlene Kennedy

**March 27**  
Eleanor Coddington

**March 17**  
Patricia Schultz  
Adam Urlaub  
Brody Yuchasz

**March 28**  
Allison Urlaub

**March 29**  
Stephanie Ihnat

**March 19**  
Joel Suszek



## Birthdays



**March 1**  
Gene Domrase  
Anna Greene

**March 17**  
Joan Brennan  
Patrick Daly

**March 2**  
Alisha Poirier

**March 18**  
Kayla Bertrand  
Vicki Cripps

**March 3**  
Mark Suszek

**March 19**  
Bonnie Cross  
Kelly Poirier  
Tyler Suszek

**March 4**  
Alexis Crittenden

**March 6**  
Tiffany LaFave  
Patrick McCourt

**March 21**  
Anna Lewis

**March 8**  
Dorene Schultz

**March 22**  
Gerald Lancaster  
Karen Spigelmyre  
Erica Wilson

**March 9**  
Matthew Gillard

**March 23**  
Brent Barrow

**March 10**  
Lois Westergard

**March 24**  
Tracie Granata

**March 11**  
Norm Timm

**March 25**  
Kristin Rich  
Sheri Smith

**March 12**  
Donice Ziberna

**March 14**  
Barbara Mudge

**March 29**  
Jeanette Chroninger

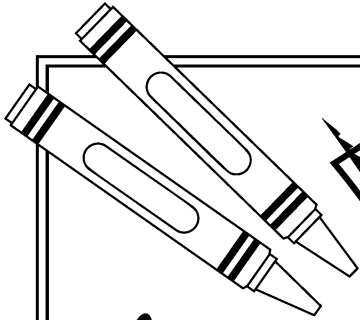
**March 15**  
Kathy Piontkowski

**March 30**  
Charles Snyder

**March 31**  
Emma Barber



# Kid's Page

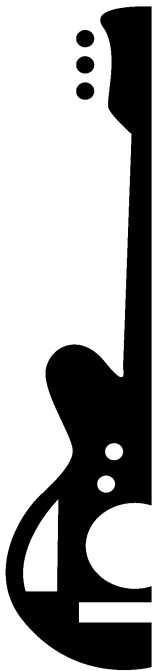


## PUZZLE

### MAKE MUSIC TO THE LORD

People of the Bible used many different instruments to worship God through music.

*Directions: Using the clues, unscramble the names of instruments found in Psalm 150. Then write the circled letters in order in the spaces below to complete verse 6.*



A type of horn  MURTEP

Played by King David  PRHA

Plucked to make sound  IGSNSTR

Similar to a tambourine  MRBELIT

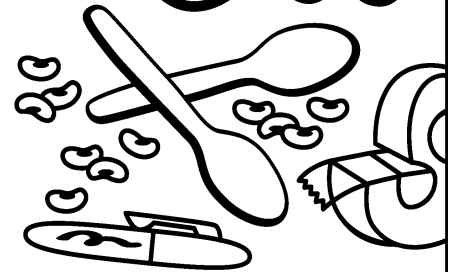
A type of harp  ELRY

Blown through to make sound  EPPI

A percussion instrument  YBLACMS

Let everyt\_ing tha\_ has \_r\_ath  
\_raise the \_ORD. Psalm 150:6, NIV

## Joyful noise



Use your voice and this hand-crafted percussion instrument to make joyful noises to the Lord.

#### What you need:

- Dry beans (about one Tbsp)
- Plastic Easter egg
- 2 plastic spoons
- Masking tape
- Markers and stickers

#### What you do:

1. Place the beans inside the egg and snap it closed.
2. Set the egg in a spoon and cover it with the second spoon so the spoons are holding the egg.
3. Tape the spoons to the egg. Also wrap tape around the spoons from top to bottom to make a shaker handle.
4. Decorate your shaker and use it as you sing praises to God.
5. Experiment with sounds by filling other eggs with coins, rice, and so on.

Answer: trumpet, harp, strings, timbrel, lyre, pipe, cymbals; Let everything that has breath praise the LORD. Psalm 150:6, NIV



### EASTER FLOWERS ORDER FORM

If you would like to place flowers in the church during our Easter Worship, please fill out this form and put it in the offering plate or leave it in the church office. **Please choose between lily, hyacinth, tulip or daffodil** and specify below the type of flowers you wish to order and your dedication. **You may also make a donation to our Flower Fund, but not order a plant**, and list a dedication below. (These donations will help cover the flower expense for weeks that members do not place flowers on the altar.) Enclose cash or check payable to Grace Lutheran Church.

### ORDER DEADLINE.....March 29!

I would like \_\_\_\_\_ lilies at \$8.00 each \_\_\_\_\_  
I would like \_\_\_\_\_ hyacinths at \$8.00 each \_\_\_\_\_  
I would like \_\_\_\_\_ tulips at \$8.00 each \_\_\_\_\_  
I would like \_\_\_\_\_ daffodils at \$8.00 each \_\_\_\_\_  
I would like to make a Flower Fund donation \_\_\_\_\_  
Total \$ \_\_\_\_\_

In memory of \_\_\_\_\_

In honor of \_\_\_\_\_

Given by \_\_\_\_\_

Flowers may be picked up after the service on Easter morning, or no later than Sunday, April 19th.

**THANK YOU**



### EASTER FLOWERS ORDER FORM

If you would like to place flowers in the church during our Easter Worship, please fill out this form and put it in the offering plate or leave it in the church office. **Please choose between lily, hyacinth, tulip or daffodil** and specify below the type of flowers you wish to order and your dedication. **You may also make a donation to our Flower Fund, but not order a plant**, and list a dedication below. (These donations will help cover the flower expense for weeks that members do not place flowers on the altar.) Enclose cash or check payable to Grace Lutheran Church.

### ORDER DEADLINE.....March 29!

I would like \_\_\_\_\_ lilies at \$8.00 each \_\_\_\_\_  
I would like \_\_\_\_\_ hyacinths at \$8.00 each \_\_\_\_\_  
I would like \_\_\_\_\_ tulips at \$8.00 each \_\_\_\_\_  
I would like \_\_\_\_\_ daffodils at \$8.00 each \_\_\_\_\_  
I would like to make a Flower Fund donation \_\_\_\_\_  
Total \$ \_\_\_\_\_

In memory of \_\_\_\_\_

In honor of \_\_\_\_\_

Given by \_\_\_\_\_

Flowers may be picked up after the service on Easter morning, or no later than Sunday, April 19th.

**THANK YOU**

# Enjoy Delicious Pasties and Help Save Our Sign!

We are holding a pasty sale to help defray costs of needed repairs to Grace Lutheran's sign. All proceeds go toward repairing our sign. All pasties donated by Elsa Phillips.



## Orders due by March 15



Pasties will be  
available for pick up  
after worship services  
March 21 & 22

Cost \$3.50/each

Pasties are  
fully baked and frozen

## Pasty Order Form

Please complete the order form below

- ◆ Place in the basket located in the Office Narthex ◆  
or
- ◆ Return to the Church Office ◆

Name \_\_\_\_\_

Phone \_\_\_\_\_ Email \_\_\_\_\_

*Enter below the amount of each pasty type you are ordering*

Beef \_\_\_\_\_ Chicken \_\_\_\_\_ Veggie \_\_\_\_\_

Total number of pasties \_\_\_\_\_ x \$3.50 each = \_\_\_\_\_

\*\*\*\*\*

## Pasty Order Form

Please complete the order form below

- ◆ Place in the basket located in the Office Narthex ◆  
or
- ◆ Return to the Church Office ◆

Name \_\_\_\_\_

Phone \_\_\_\_\_ Email \_\_\_\_\_

*Enter below the amount of each pasty type you are ordering*

Beef \_\_\_\_\_ Chicken \_\_\_\_\_ Veggie \_\_\_\_\_

Total number of pasties \_\_\_\_\_ x \$3.50 each = \_\_\_\_\_